



SDS73BQ SERIES ~ SMD Shielded Coupled Inductors



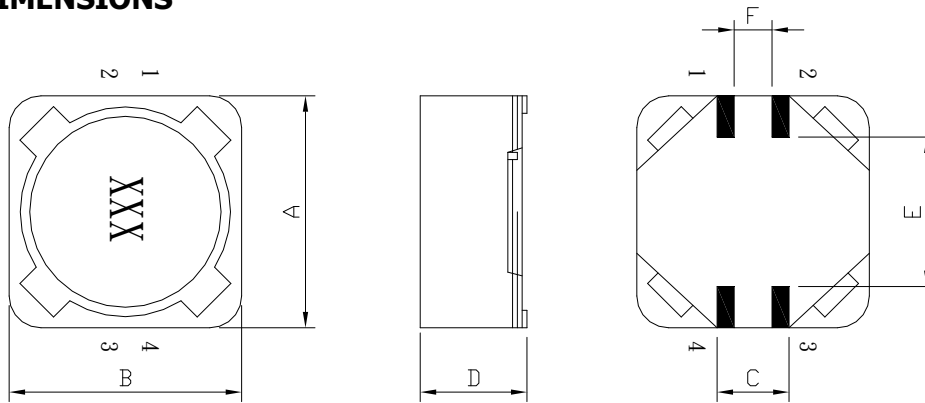
PART NUMBERING SYSTEM

(AEC-Q200)

| | | | | | |
|------------|-------------|---|-------------|---|-----------|
| SDS | 73BQ | — | 680M | — | LF |
| TYPE | DIMENSIONS | | INDUCTANCE | | LEAD FREE |

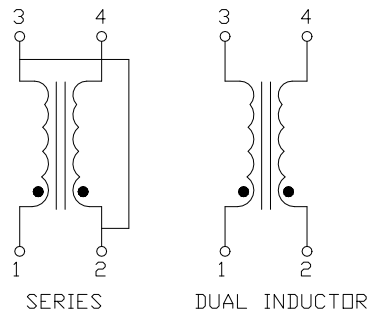
SHAPES AND DIMENSIONS

UNIT : mm

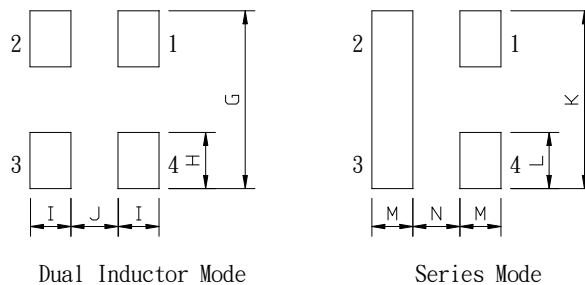


A=7.60 Max. B=7.60 Max. C=2.70 Ref. D=3.55 Max. E=2.90 Ref. F=1.00 Ref.

SCHEMATIC DRAWING



PCB PATTERN



G=7.90 H=1.70 I=1.00 J=0.40 K=7.90 L=1.70 M=1.00 N=0.40

SDS73BQ SERIES ~ SMD Shielded Coupled Inductors



SPECIFICATION TABLE

(AEC-Q200)

| TYPE | | Parallel Ratings | | | | Series ratings | | | |
|-----------------|--------------------------|-----------------------------|--------------|--------------|----------------------------|-----------------------------|--------------|--------------|----------------------------|
| PART NUMBER | INDUCTANCE (μ H) | OCL \pm 20% (μ H) | I rms (A) | I sat (A) | DCR (Ω) (Max.) | OCL \pm 25% (μ H) | I rms (A) | I sat (A) | DCR (Ω) (Max.) |
| SDS73BQ-R33M-LF | 0.33 | 0.306 | 6.19 | 14.4 | 0.0092 | 1.224 | 3.10 | 7.18 | 0.0370 |
| SDS73BQ-1R0M-LF | 1.00 | 0.992 | 5.25 | 7.97 | 0.0129 | 3.968 | 2.63 | 3.99 | 0.0514 |
| SDS73BQ-1R5M-LF | 1.50 | 1.482 | 4.64 | 6.52 | 0.0165 | 5.928 | 2.32 | 3.26 | 0.0659 |
| SDS73BQ-2R2M-LF | 2.20 | 2.070 | 4.11 | 5.52 | 0.0209 | 8.280 | 2.06 | 2.76 | 0.0836 |
| SDS73BQ-3R3M-LF | 3.30 | 3.540 | 3.31 | 4.22 | 0.0324 | 14.16 | 1.66 | 2.11 | 0.1294 |
| SDS73BQ-4R7M-LF | 4.70 | 4.422 | 3.09 | 3.78 | 0.0371 | 17.69 | 1.55 | 1.89 | 0.1485 |
| SDS73BQ-6R8M-LF | 6.80 | 6.480 | 2.55 | 3.12 | 0.0544 | 25.92 | 1.28 | 1.56 | 0.2178 |
| SDS73BQ-8R2M-LF | 8.20 | 8.930 | 2.19 | 2.66 | 0.0740 | 35.72 | 1.10 | 1.33 | 0.2960 |
| SDS73BQ-100M-LF | 10.0 | 10.30 | 2.08 | 2.47 | 0.0820 | 41.20 | 1.04 | 1.24 | 0.3279 |
| SDS73BQ-150M-LF | 15.0 | 15.01 | 1.83 | 2.05 | 0.1055 | 60.04 | 0.916 | 1.03 | 0.424 |
| SDS73BQ-220M-LF | 22.0 | 22.65 | 1.62 | 1.67 | 0.134 | 90.60 | 0.811 | 0.83 | 0.536 |
| SDS73BQ-330M-LF | 33.0 | 34.41 | 1.31 | 1.35 | 0.208 | 137.6 | 0.653 | 0.68 | 0.831 |
| SDS73BQ-470M-LF | 47.0 | 48.62 | 1.08 | 1.14 | 0.301 | 194.5 | 0.542 | 0.57 | 1.206 |
| SDS73BQ-680M-LF | 68.0 | 68.91 | 0.89 | 0.96 | 0.448 | 275.6 | 0.444 | 0.48 | 1.79 |
| SDS73BQ-820M-LF | 82.0 | 80.37 | 0.86 | 0.89 | 0.480 | 321.5 | 0.430 | 0.44 | 1.93 |
| SDS73BQ-101M-LF | 100 | 101.4 | 0.73 | 0.79 | 0.659 | 405.6 | 0.367 | 0.39 | 2.64 |
| SDS73BQ-151M-LF | 150 | 150.9 | 0.58 | 0.65 | 1.064 | 603.6 | 0.289 | 0.32 | 4.26 |
| SDS73BQ-221M-LF | 220 | 223.3 | 0.52 | 0.53 | 1.31 | 893.2 | 0.260 | 0.27 | 5.25 |
| SDS73BQ-331M-LF | 330 | 325.5 | 0.42 | 0.44 | 1.99 | 1302 | 0.211 | 0.22 | 7.95 |
| SDS73BQ-471M-LF | 470 | 465.8 | 0.35 | 0.37 | 2.95 | 1863 | 0.173 | 0.18 | 11.80 |
| SDS73BQ-681M-LF | 680 | 676.5 | 0.29 | 0.31 | 4.34 | 2706 | 0.143 | 0.15 | 17.35 |
| SDS73BQ-821M-LF | 820 | 821.7 | 0.27 | 0.28 | 4.91 | 3287 | 0.134 | 0.14 | 19.65 |
| SDS73BQ-102M-LF | 1000 | 995.0 | 0.26 | 0.25 | 5.43 | 3980 | 0.128 | 0.13 | 21.70 |

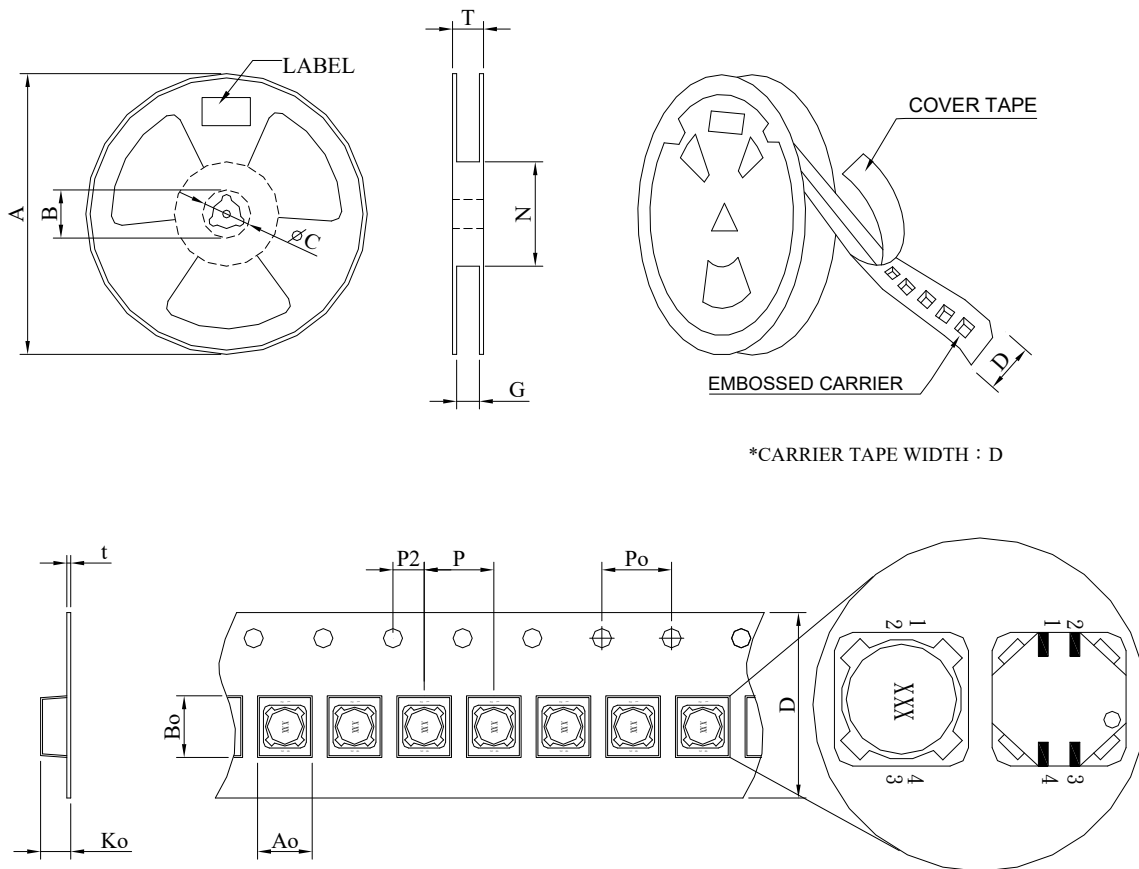
- Inductors tolerance $M=\pm 20\%$.
- I sat : DC current at which the inductance drops 30% (typ.) from its value without current.
- Operating temperature range -40°C to $+125^{\circ}\text{C}$.
- Electrical specifications at 25°C .

SDS73BQ SERIES ~ SMD Shielded Coupled Inductors



PACKAGING SPECIFICATION

(AEC-Q200)



| SERIES | STAYLE | Q'TY (PCS) | DIMENSIONS (m/m) | | | | | | | | |
|---------|--------|------------|------------------|-------|-------|----|-----------------|----------------|----|----|------|
| | | | A | B±0.8 | C±0.5 | D | G ⁺⁰ | N ⁰ | P | Po | T |
| SDS73BQ | 13-16 | 1000 | 330 | 21 | 13 | 16 | 18 | 50 | 12 | 4 | 22.4 |